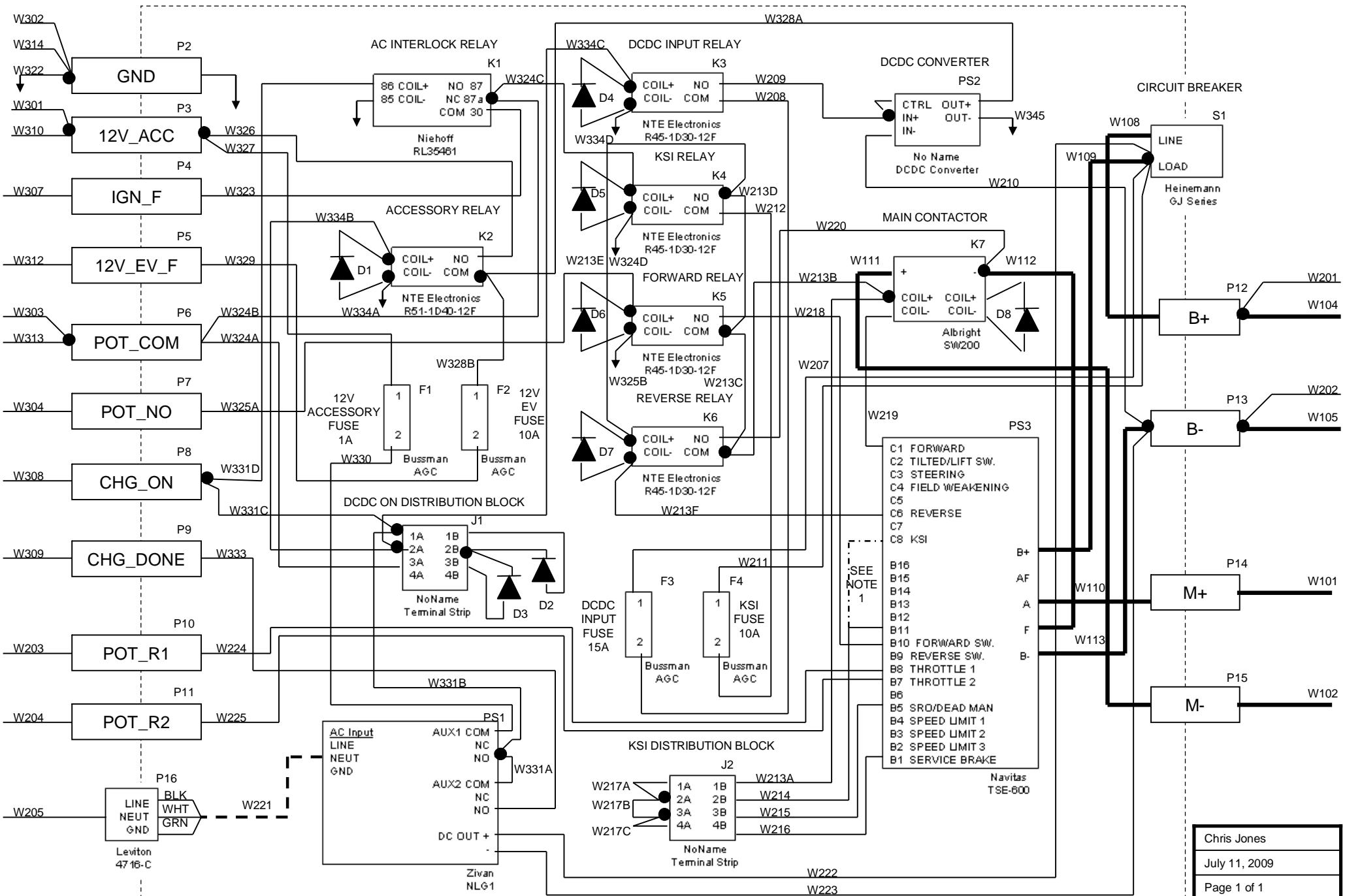


NBEAA ECONOMY EV WIRING DIAGRAM

Radiator Box



NOTE 1: Predecessor to Navitas model SRE that we have has the red KSI wire connected to B11, not C8, like the newer Navitas manual shows.